



TELETERM M2 Series Programmable RTU's

Model C236xC-33 and C236xC-34 Teleterm M2R Radio RTU's

DATASHEET



- 12 Configurable Inputs and Outputs
- 868MHz or 900MHz radio port
- 10/100 Ethernet port on C2361C-3x
- ISaGRAF 61131-3 Programmable
- micro-SD Card Logging
- Low power operation
- Two serial ports (incl. RS485)

FEATURES

- **Low Power operation**
- **12 Inputs and/or Outputs (Analog or Digital)**
- **Powerful 868 or 900MHz radio modem**
- **uSD Memory Card Slot for off-line data logging**
- **On-board temperature sensor and voltage monitor**

OVERVIEW

The TELETERM M2R is a state-of-the-art RTU designed to expand the possibilities of remote monitoring and control by providing a cost effective platform with a wide range of features.

The TELETERM M2R comes with 12 universal I/O that can be configured for analogue or digital input or output according to your needs as well as a powerful radio modem.

The on board RS232/485 port can be used to acquire data from other third party devices using either the Modbus protocol, or by downloading a custom software protocol "plug-in". This feature allows a wide variety of third party devices to be supported.

The low power consumption of the Teleterm M2R makes it suitable for use in solar-powered and battery-powered applications.

Teleterm M2R can also be programmed in ISaGraf (selectable option), an industry standard programming environment for all five IEC61131-3 programming languages, providing the ability to do local control, and custom logic.

The Teleterm M2R also incorporates an micro SD memory card slot to support local data logging.

- **Integral Real-Time Clock with Battery Backup**
- **Programmable for a wide range of applications**
- **9 - 30V dc powered**
- **Compact size and convenient DIN Rail mounting**
- **Wide operating temperature range**

The Teleterm M2R3e and M2R4e C2361C-3x are also equipped with 10/100 Ethernet port.

Typical applications for the M2R and M2Re include:

- Energy Management and Remote Meter Reading.
- Environmental Monitoring
- Remote Site Monitoring
- Utilities monitoring
- Pump Stop and Start Control
- Reservoir Pump Integrated Control
- Message Board Ethernet Connection from Plant

Stay in touch – Take control
with the Teleterm M2 Series
from Omnicflex.

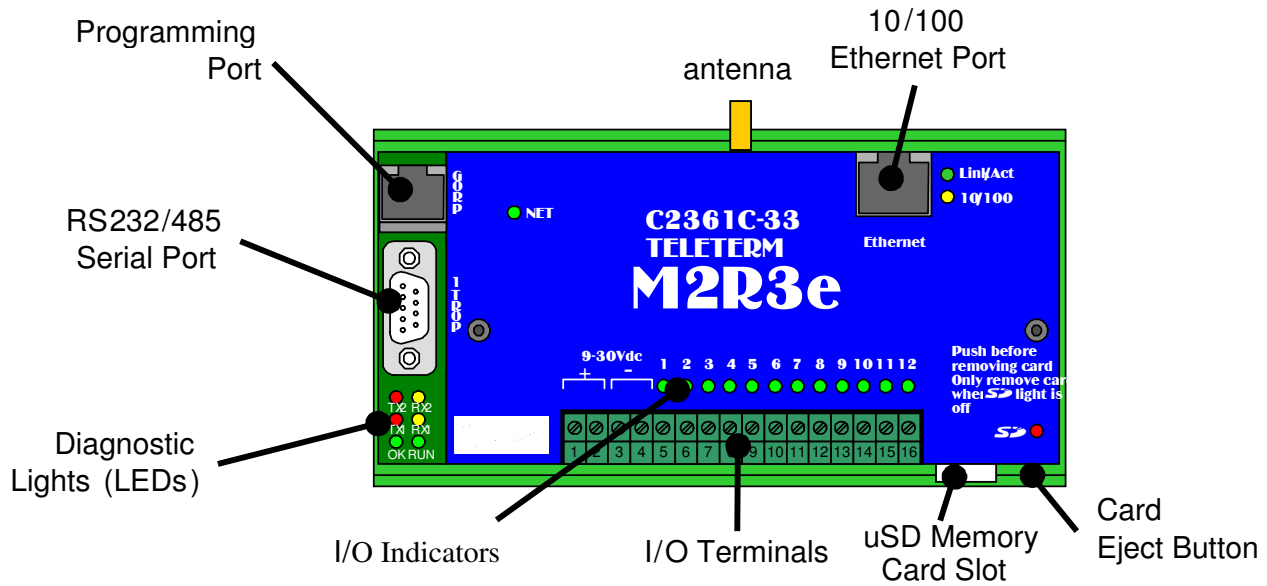




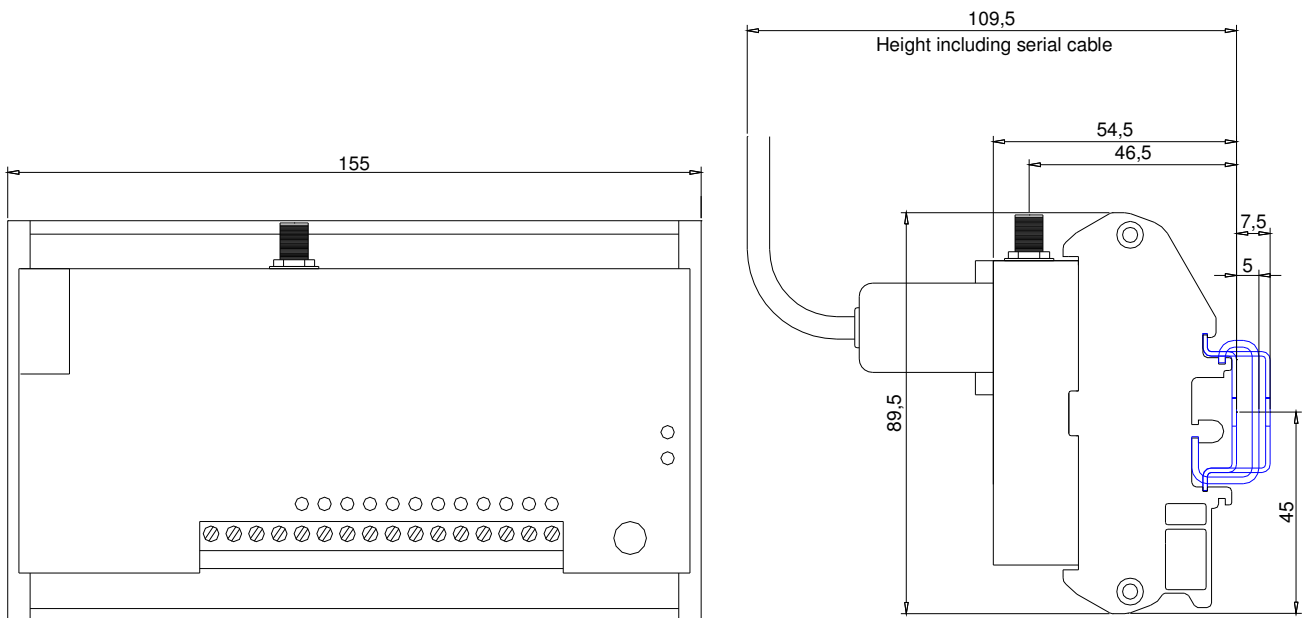
TELETERM M2 Series Programmable RTU's

Model C236xC-33 and C236xC-34 Teleterm M2R Radio RTU's

General Layout



Mechanical Dimensions





TELETERM M2 Series Programmable RTU's

Model C236xC-33 and C236xC-34 Teleterm M2R Radio RTU's

Communication Functions by Model

The M2R version is available in a number radio band options to comply with different country regulations. Please ensure that the correct unit is specified for your application.

Product Name	Order Code	Notes	12 I/O	RS232/ RS485 Port	868MHz 315mW Radio Port	920MHz 100mW Radio Port	Ethernet Port	ISAGRAF Programming
M2R3	C2360C-33-0	1	<input checked="" type="checkbox"/>	<input checked="" type="checkbox"/>	<input checked="" type="checkbox"/>			
M2R3	C2360C-33-1	1,3	<input checked="" type="checkbox"/>	<input checked="" type="checkbox"/>	<input checked="" type="checkbox"/>			<input checked="" type="checkbox"/>
M2R4	C2360C-34-0	2	<input checked="" type="checkbox"/>	<input checked="" type="checkbox"/>		<input checked="" type="checkbox"/>		
M2R4	C2360C-34-1	2,3	<input checked="" type="checkbox"/>	<input checked="" type="checkbox"/>		<input checked="" type="checkbox"/>		<input checked="" type="checkbox"/>
M2R3e	C2361C-33-0	1	<input checked="" type="checkbox"/>	<input checked="" type="checkbox"/>	<input checked="" type="checkbox"/>		<input checked="" type="checkbox"/>	
M2R3e	C2361C-33-1	1,3	<input checked="" type="checkbox"/>	<input checked="" type="checkbox"/>	<input checked="" type="checkbox"/>		<input checked="" type="checkbox"/>	<input checked="" type="checkbox"/>
M2R4e	C2361C-34-0	2	<input checked="" type="checkbox"/>	<input checked="" type="checkbox"/>		<input checked="" type="checkbox"/>	<input checked="" type="checkbox"/>	
M2R4e	C2361C-34-1	2,3	<input checked="" type="checkbox"/>	<input checked="" type="checkbox"/>		<input checked="" type="checkbox"/>	<input checked="" type="checkbox"/>	<input checked="" type="checkbox"/>

NOTES:

1. 868MHz Band is suitable for use in Europe, and South Africa.
2. 920MHz Band is suitable for use in USA, Australia and New Zealand.
3. ISAGRAF available with software license. Contact Omniflex office for details.





TELETERM M2 Series Programmable RTU's

Model C236xC-33 and C236xC-34 Teleterm M2R Radio RTU's

Input/Output Configurable Options

The M2R and M2Re are equipped with 12 versatile input/output points (I/O points or IOP's). Each I/O point can be individually configured from the options given in the following table:

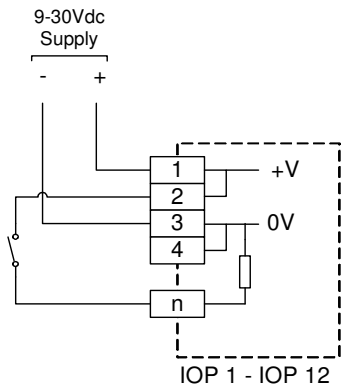
I/O Point	Terminal No.	Digital Input	Analogue Input	Digital Output	Analogue Output
1	5	Yes	0-30Vdc	Yes	-
2	6	Yes	0-30Vdc	Yes	-
3	7	Yes	0-5Vdc	Yes	-
4	8	Yes	0-5Vdc	Yes	-
5	9	Yes	0-5Vdc	Yes	-
6	10	Yes	0-5Vdc	Yes	-
7	11	Yes	0-5Vdc	Yes	-
8	12	Yes	0-5Vdc	Yes	-
9	13	Yes	0-5Vdc	Yes	-
10	14	Yes	0-5Vdc	Yes	-
11	15	Yes	0-30Vdc	-	0/4-20mA
12	16	Yes	0-30Vdc	-	0/4-20mA

Note 1: See the "Specifications" section of this document for detailed specifications of each I/O point option.

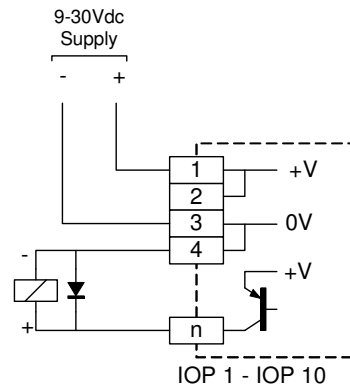
Note 2: All 0-30V analogue inputs have increased resolution over the range 0-6V (equivalent to the 0-5V inputs).

Note 3: All Digital Inputs can be configured as Pulse Counters or Hours Counter.

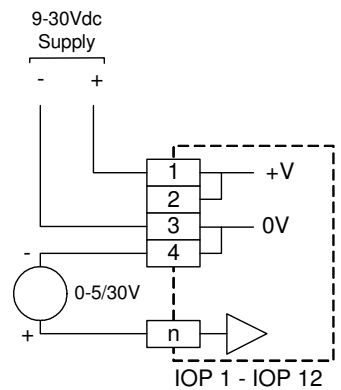
Note 4: All Digital Outputs can be configured as Pulse outputs (normally ON or normally OFF).



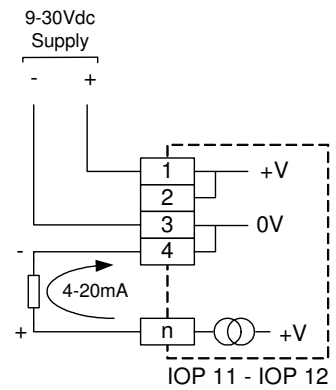
DIGITAL INPUTS



DIGITAL OUTPUTS



ANALOGUE INPUTS



ANALOGUE OUTPUTS





TELETERM M2 Series Programmable RTU's

Model C236xC-33 and C236xC-34 Teleterm M2R Radio RTU's

SPECIFICATIONS

Input/Outputs

M2R RTU's have 12 Input/Output Points (IOP configurable in software as analogue or digital, inputs or outputs.

(See the table above for a matrix of available functions on each I/O Point.)

As a Digital Input (IO Points 1 to 12)

Type	Current Sink (Switch to +V to operate)
Input Impedance	5 kohms nominal.
Input OFF Condition	Input < 2Vdc
Input ON Condition	Input > 3Vdc
Functions	Software selectable as: ON/OFF Input Counter Input (counts rising edge pulses) Hours Input (counts hours while input is on to resolution of 0.01 hours).

As a Digital Output (IO Points 1 to 10)

Type	Voltage Source (Solid State Switch to +V)
ON State Rated Current	< 100mA continuous maximum per output < 200mA peak (<10ms) max, per output < 500mA total for all outputs simultaneously
ON State Volt Drop	< 3V at maximum rated load
OFF State Rated Leakage Current	< 0.1mA at maximum supply voltage
Functions	Software selectable as: ON/OFF ON Pulse (configurable 10ms – 300s) OFF Pulse (configurable 10ms = 300s)

As an Analogue Input (I/O Points 1,2, 11, 12)

Type	Voltage Input referenced to 0V supply.
Range	0-30Vdc (software configurable to smaller ranges such as 1-5Volts)
Accuracy	< 0.15% of reading +6mV from 0 to 5.5V < 0.15% of reading +30mV from 5.5 to 30V
Resolution	2mV from 0 to 5.5 Volts nominal (12 bits) 33mV from 5.5 to 30Volts nominal

As an Analogue Input (I/O Points 3 to 10)

Type	Voltage Input referenced to 0V supply.
Range	0-5.5Vdc (software configurable to smaller ranges such as 1-5Volts)
Accuracy	< 0.15% of reading +3mV
Resolution	2mV nominal (12 bits)

As an Analogue Output (I/O Points 11 and 12)

Type	4-20mA Source into 0V connected load
Load	1k maximum load
Maximum Range	0 to 23 mA (software configurable to smaller ranges such as 4-20mA or 0-10mA)
Accuracy	< 0.25% of full scale

General Specifications

Power Requirements

Power Supply Voltage	9 – 30Vdc (ripple < 5%)
Average Current	80mA at 12Vdc 40mA at 24Vdc

IEC61131-3 Programming (Optional)

Six graphical Languages	SFC – Structured Flow Chart FC – Flow Chart FBD – Function Block LD – Ladder Diagram ST – Structured Text IL – Instruction List
Programming Environment	Windows PC based "Omniflex ISaGRAF Application Workbench"

Protocol Programming

Language	EventForth
Program Space	16kBytes Program memory 8kBytes User RAM memory

Environmental Conditions

Storage Temperature	-25°C – 85 °C (-13°F – 185°F)
Operating Temperature	-10°C – 60 °C (+14°F – 140°F)
M2G Radio compliance	-10°C – 50 °C (+14°F – 122°F)

Processor

Type	Dual Core 32 Bit Processor
Clock Speed	72MHz
Memory – Flash / RAM	512kB / 256kB

Real Time Clock

Resolution	10ms
Accuracy	1 min per month
Battery Life	> 1 year with power off > 5 years with power on.
Battery Type	3V Lithium Cell type CR1220

Compliance with Standards

Safety	EN 60950
Emissions	EN 55011, Group I, Class A
Immunity – ESD	IEC 61000-4-2:2001, level 3
Immunity – RF Fields	IEC 61000-4-3:2003, level 3
Immunity – Fast Transients	IEC 61000-4-4:2004 2 kV – DC power port 1 kV – input/output lines

Weight

Packed/Unpacked	350gm/250gm approx.
-----------------	---------------------





TELETERM M2 Series Programmable RTU's

Model C236xC-33 and C236xC-34 Teleterm M2R Radio RTU's

Front Panel Serial Port (available on all models)

Type	Asynchronous serial port
Protocols	Supports the following protocols as standard: <ul style="list-style-type: none"> • Conet/s • Modbus ASCII (Master or Slave) • Modbus RTU (Master or Slave). • Other protocols written in the EventForth programming language may be downloaded.
Baud Rate	300 – 38,400 baud.
Maximum cable length	15 meters (50ft) in RS232 mode 1200m (4000ft) in RS485 mode
Connection	9 pin sub-miniature DB9 (male).
RS232/422/485	Selected by the wiring to the DB9 connector

Pin	Communication Standard	
	RS232	RS485
1	Do not connect	Rx Data + (In)
2	Rx Data (In)	Rx Data – (In)
3	Tx Data (Out)	Do not connect
4	Do not connect	Tx Data+ (Out)
5	Ground	Ground
6	Do not connect	Vcc
7	RTS (Out)	Do not connect
8	CTS (In)	Do not connect
9	Do not connect	Tx Data – (Out)

Plug-in Memory Card (available on all models)

Type	Micro SD Memory Card (11mm x 15mm)
Storage Capacity	Memory Card dependent: Up to 8Gb supported
Card Format	PC Compatible FAT File Format

Data Format	Data writable by program to suit application. Any text based file format may be written such as CSV File Format compatible with Microsoft Excel etc.
-------------	--

Network Communications Specifications for the Teleterm M2R3e C2361C-33 and M2R4e C2361C-34

Link	ethernet
Speed	10/100
Green LED	LINK/ACT
Yellow LED	10/100

Cable	CAT5 recommended
-------	------------------

Network Communications Specifications for the Teleterm M2R3(e) Module C236xC-33 (868MHz 315mW)

Operating Band	SRD g3 Band (869.525 MHz)
Special Radio Licence Requirements	None (operates in licence-free ISM band)
Transmit Power	315mW (+25dBm)
Receiver Sensitivity	-112dBm typical
Modulation	FSK

Throughput Data Rate	2,400 bits per second 10% duty cycle
Number of Channels	Single Channel
Outdoor Range (Line of Sight)	Up to 20 km with dipole Up to 40 km with hi-gain antenna
Antenna	RPSMA Connector for external antenna
Approvals	Approved for use in Europe and South Africa

Network Communications Specifications for the Teleterm M2R4(e) Module C236xC-34 (920MHz 1W)

Operating Band	915-928 MHz
Special Radio Licence Requirements	None. (operates in licence-free ISM band)
Transmit Power	Settable 1mW (0dBm) to 1W(+30dBm)
Receiver Sensitivity	-110dBm typical
Modulation	FHSS FSK

Throughput Data Rate	9,600 bits per second
Number of Channels	10 Frequency Hopping Sequences
Outdoor Range (Line of Sight)	Up to 10 km with dipole Up to 30 km with hi-gain antenna
Antenna	RPSMA Connector for external antenna
Approvals	Approved for use in USA and Australia





TELETERM M2 Series Programmable RTU's

Model C236xC-33 and C236xC-34 Teleterm M2R Radio RTU's

Ordering Information

ORDER CODE	PRODUCT	DESCRIPTION
C2360C – 33 – 0	Teleterm M2R3	Teleterm M2R Programmable RTU with 868MHz radio modem
C2360C – 33 – 1	Teleterm M2R3	Teleterm M2R Programmable RTU with 868MHz radio modem + ISAGRAF programming language
C2361C – 33 – 0	Teleterm M2R3e	Teleterm M2Re Programmable RTU equipped with ethernet port with 868MHz radio modem
C2361C – 33 – 1	Teleterm M2R3e	Teleterm M2Re Programmable RTU equipped with ethernet port with 868MHz radio modem and ISAGRAF programming language
C2360C – 34 – 0	Teleterm M2R4	Teleterm M2R Programmable RTU with 920MHz radio modem
C2360C – 34 – 1	Teleterm M2R4	Teleterm M2R Programmable RTU with 920MHz radio modem + ISAGRAF programming language
C2361C – 34 – 0	Teleterm M2R4e	Teleterm M2Re Programmable RTU equipped with ethernet port with 920MHz radio modem
C2361C – 34 – 1	Teleterm M2R4e	Teleterm M2Re Programmable RTU equipped with ethernet port with 920MHz radio modem and ISAGRAF programming language

ACCESSORIES

M1833A	MX RS232/485 Serial Patch Cable	RS232/485 Female DB9 connector (M2R end) to loose ends. 2 metres.
--------	---------------------------------	---

