



# Powerterm L50CS Single Output PSU/Battery Chargers

Model C2298A-1 (12V/4A) or Model C2298A-2 (24V/2A)

## DATASHEET

- A Complete solution for small battery-backed dc instrument power systems.
- Supply continuous 12Vdc 6A or 24Vdc 4A loads (Excludes battery charging)
- Ideal for RTU's, dataloggers, remote field instrumentation, alarm systems, etc. where 12 Volts dc or 24Volts dc is required.
- Low Voltage Cutout to preserve battery life
- Temperature Compensation for best standby time.
- Current limited dual mode battery charging gives optimum load performance
- IEC320-C5 power input for serviceability without needing a wireman's licence



### Features

- **Under-voltage cut-out to protect battery from deep discharge.**
- **10A Peak Load capability**
- **AC detect output for mains monitoring.**
- **Temperature compensation for optimum battery float voltage in changing ambient temperatures.**
- **Universal 85-264Vac mains supply**
- **DIN Rail mounting with small panel footprint**

### Overview

The Powerterm L50CS is a combined Power Supply and Battery Charger system with integrated standby battery management for small uninterruptible instrument supply applications.

Just connect mains supply, standby battery and load for an industrial grade standby power supply system.

This DIN rail mounted product is ideal for providing dc power to instrument systems where battery backup is necessary to ensure continuous system operation during power failure. Applications include RTU's, dataloggers, remote field instruments, alarm systems and access controllers.

Managing battery-backed systems for optimum backup time and battery life can be tricky and expensive.

This product incorporates many features that make installing such systems simple and foolproof.

### Battery Management

During prolonged power outages, the back-up batteries will eventually discharge. If the load remains connected, the batteries can enter their "deep" discharge phase, which can cause irreparable damage to the batteries, and reduce their capacity and life expectancy.

The PTL50CS incorporates a low voltage cut-out that disconnects the loads when either battery voltage falls below its low voltage threshold.

The maximum float voltage necessary to ensure full charge, but not overcharge, is temperature dependent for lead-acid batteries. If the installation is in an environment with widely fluctuating temperature, then fixed voltage chargers will either under-charge or over-charge the batteries.

The PTL50CS is provided with internal temperature compensation so that the float voltage to the battery is held at

its optimum value at all times even in extreme temperature environments.

### Dual Mode Charging

All sealed lead acid battery manufacturers specify a maximum charging current for the correct life and safe operation of sealed lead acid batteries. This maximum charging current for a battery is based upon the Ampere-hour capacity of the battery. Many conventional switch mode power supplies do not control their maximum delivered current and can cause batteries to be charged from flat with current levels that exceed the manufacturer's recommendation. The PTL50CS provides dual-mode charging, with a well defined battery current limit, so that even when the batteries are discharged, the charging current will be controlled.

### System Monitoring

The PTL50CS provides an AC OK contact output. This output can be used to detect power failures without the need for an additional mains detection relay.

### Safe Mains Input Connector

The main input is connected using an IEC320-C5 standard mains connector. This rugged and secure connector provides a safe means for any service personnel to exchange power supplies in the field without the need for a wireman's licence.

### High Reliability and Long Service Life

The PTL50CS is specifically designed for rugged applications where long service life is an issue. High reliability components and conservative design parameters provide superior life.

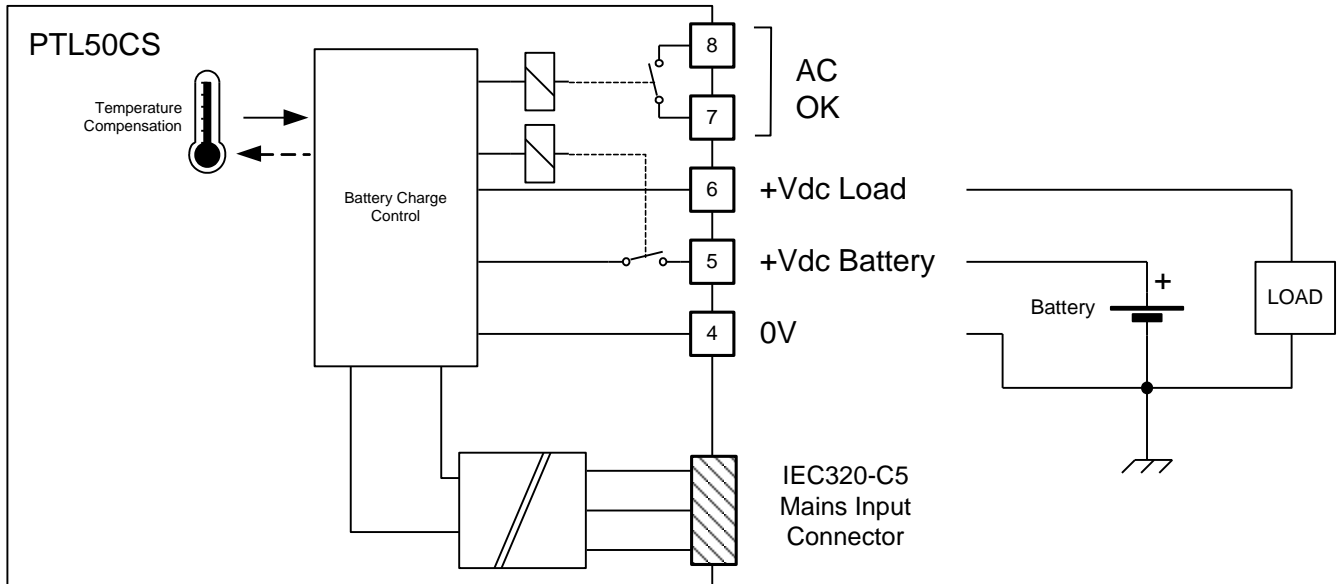




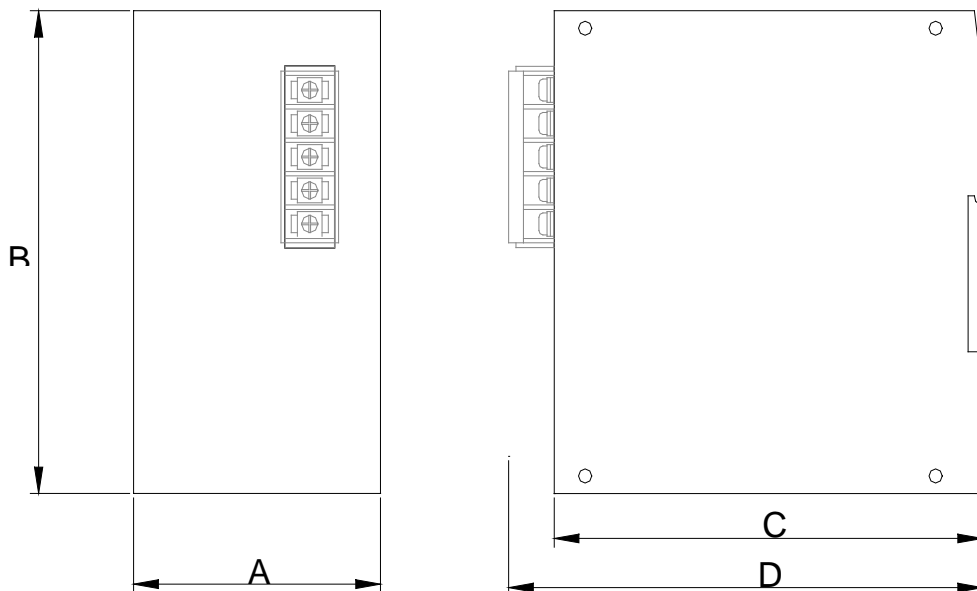
# Powerterm L50CS Single Output PSU/Battery Chargers

Model C2298A-1 (12V/4A) or Model C2298A-2 (24V/2A)

## Typical System Connection Diagram



## Mechanical Details



A	60mm
B	110mm
C	110mm
D	120mm





# Powerterm L50CS Single Output PSU/Battery Chargers

Model C2298A-1 (12V/4A) or Model C2298A-2 (24V/2A)

## Specifications

### AC Input

AC input voltage range	85-264Vac
AC input frequency	47-63 Hz
Input current at full load	<1.5A rms at 115Vac <0.7A rms at 230Vac
Switch-on inrush current	11A for <10ms
Surge withstand	2.5kA 8/20us pulse 40 joules max.
Fast Transients	2 kV

### DC Output

Model	C22998A-1 (12V)	C2298A-2 (24V)
Output Voltage at 20°C	13.8±0.1V	27.6V±0.2V
Voltage change from 20°C	-20mV/°C	-40mV/°C
Maximum load output voltage range over all conditions of battery, temperature and AC input.	10.0V -14.3V	20.0V -28.6V
Rated Load current	4A Continuous (average)	2A Continuous (average)
Battery Charging Current (current limited in charger)	1A typical	1A typical
Maximum Peak Load (drawn from the battery)	8A for 10s with 10% duty cycle maximum	
AC line regulation	0.5% max over 85-132 & 170-264Vac	
Load Regulation	2% max over 10-100% of total load (output load + battery charge current)	

### Recommended Batteries (not included)

Quantity	1	2
Type	12 Volt Sealed Lead Acid	
Minimum Battery Capacity	12Ah minimum recommended	

### Under-voltage cutout

Cut out Voltage	10.5V± 0.3 Volt	21.0V± 0.6 Volt
Battery drain when cut out	1mA max	

### OK Output

Type	Normally open contact – closed when AC is ON and DC power is healthy.
Max. operating voltage	30V dc
Max. closed circuit current	1A

### Internal Temperature Sensor

Temperature Accuracy	± 2 °C
----------------------	--------

### Indicator Lights

AC (Green)	ON when AC input is ON and charger is charging. (indicates OK output is on)
DC (Red)	ON when cut-out relays are closed and DC output is present.

### Environment

Operating Temperature	0 to +60°C at continuous full load
Temperature derating	derate 2 Watts/°C up to 70°C max
Storage Temperature	-10°C – 70 °C (+14°F – 158°F)
Design Life at 50°C full load	100 000hours

### Mechanical

Width	60mm
Height	110mm
Depth	150mm (including connector)

### Weight

Unpacked	450gm approx.
Packed	5500gm approx.

### Compliance to Standards

Safety	IEC950; EN60950:1995
Emissions	EN 55011 Group I, Class A
Immunity – ESD	IEC 61000-4-2:2001, level 3
Immunity – RF Fields	IEC 61000-4-3:2003, level 3
Immunity – Fast Transients	IEC 61000-4-4:2004 2 kV – AC & DC power ports 1 kV – other input/output lines
Insulation Resistance (100% tested)	100Mohm at 500Vdc input to outputs to ground.
Insulation Breakdown (100% tested)	1500Vac input to earth for 1s 1000Vac output to earth for 1s

### Ordering Information

ORDER CODE	DESCRIPTION
C2298A-1	Powerterm L50CS-12V 12V 8 Amp PSU/Charger
C2298A-2	Powerterm L50CS-24V 24V 6 Amp PSU/Charger
C1201A-12	1.2m mains cable IE320-C5 right angled connector to loose ends





# Powerterm L50CS Single Output PSU/Battery Chargers

## Model C2298A-1 (12V/4A) or Model C2298A-2 (24V/2A)

### Application Notes

#### BATTERY CONSIDERATIONS

The PTL50CSS is designed to operate with a sealed lead acid (SLA) type battery also known as Valve Regulated Lead Acid (VRLA) batteries. This type of battery is sealed except for a valve that opens when the internal gas pressure exceeds safe limits. (That is why it is important not to overcharge SLA batteries). Generally, these batteries can be used in confined areas and can be mounted in any orientation (see the specific manufacturer's data for details).

There are two types of SLA batteries on the market: Absorbent Glass Mat (AGM) and Gel-Cell. This refers to the method used to immobilise the electrolyte in the battery. Either of these two types of battery may be used with these chargers.

#### CALCULATING AVERAGE LOAD

In many applications the load can vary significantly. A typical example is in the use of radios, where the radio would draw much more in Transmit mode, than in Receive Mode. In most installations it is not necessary to base the battery capacity on the worst case load, because the average can easily be calculated.

##### Example:

A 12Volt radio is used that consumes 300mA in receive mode, and 3 Amps in transmit mode. The rest of equipment in the panel consumes 2.5A continuously.

The system design requires the radio to transmit for 10 seconds every 15 minutes.

In this case, the average load provided by the radio can be calculated as follows:

The radio would transmit for 10 seconds every 15 minutes = 1.1% of the time, and therefore the radio would be in receive mode for 100% - 1.1% = 98.9% of the time.

Average Load =  $1.1/100 \times 3\text{Amps} + 98.9/100 \times 0.3\text{A} = 0.33\text{ Amps}$ .

Total Average load =  $2.5\text{A} + 0.33\text{A} = 2.83\text{A}$

Peak load =  $2.83\text{A} + 3\text{A} = 5.83\text{A}$

The Powerterm L50CS is well suited to this application, because the average load is well under the 6A maximum, and the peak load of 5.83A is well under the 16Amp peak load specified for the L50CS-12V.

#### BATTERY SELECTION

In order to select the batteries for your application, follow these simple steps:

1. Calculate the Ampere-hours (Ah) of standby time required, by multiplying the number of hours of standby required by the average load in Amps.
2. To take into account deterioration of battery capacity over the life of the battery (20% over 48 months typical), and residual charge remaining at cutoff (20% remaining) multiply this figure by 1.6 (This figure may vary from application to application)
3. If the battery is required to provide full standby time at temperatures lower than 20°C, then increase this capacity by a further 10% for each 10°C below 20°C.
4. An additional factor of 15% may be added to the battery capacity if the recharge time to required capacity from discharged state is an important factor of the design. (see section on Charging time).

This then gives a design minimum Ampere-Hour (Ah) rating for the load on standby. Batteries can then be chosen as follows:

When choosing a battery, select the next highest standard size available from your chosen manufacturer in each case.

##### Example:

A standby time of 2 hours is required from a standby system that will operate over the temperature range 0 – 60 °C.

The average 12VOLT load has been calculated at 5.83 Amps  
This gives a required Ah rating of:

$$2.83\text{A} \times 2\text{h} = 5.66\text{ Ah}$$

Taking into account the factors for battery life and the low temperature operation given above, these ratings are increased by the factor:

$$1.6 \times 1.2 = 1.92$$

Therefore:

$$\text{Battery Size} = 5.66 \times 1.92 = 10.86\text{Ah minimum}$$

A 12VOLT 12Ah Sealed Lead Acid battery would be suitable for this application.

#### AC DETECT OUTPUT

A contact output across terminals 11 and 12 is provided to detect the presence of the AC supply, and the correct operation of the charger.

A closed contact confirms that the AC supply is present, and that the charger is successfully charging. The contact will open when the AC supply fails, or the charger is not able to charge for any reason.

A green light labelled 'AC' on the front of the PTL50CSS is a visual indication of the state of this contact and the AC supply. When this light is on, then the AC Supply is present, and the contact is closed.

Note: It is normal for this contact to open then close again momentarily during a power failure as the battery takes over from the AC supply.

#### LOW VOLTAGE CUTOUT

When the battery voltage drops during discharge to its preset cut-off point, the cut-off relay in the PTL50CSS will disconnect the battery from the load. This prevents the battery from entering into a state of deep-discharge, protecting it from permanent damage.

When the AC supply returns, the cut-out relay will automatically reconnect the battery.

A red light labelled 'DC' on the front of the PTL50CSS when on, indicates that there is DC supply to the load. During battery backup, the Green lamp will be off and the Red lamp will be on. After the battery has been disconnected by the cut-out, both lamps will be off.

These states are shown in this table below:

AC	DC	STATE
ON	ON	Battery is connected and AC is on.
OFF	ON	Mains has failed & load is powered from battery.
OFF	OFF	Mains has failed and battery is flat.
ON	OFF	System Fault

#### USE OF TEMPERATURE COMPENSATION

A Lead Acid Battery is constructed of a series string of cells of approx. 2.3 volts each when fully charged. A 12 Volt battery has 6 such cells. This fully charged voltage varies by approximately -3.3mV/°C per cell. This does not sound much but, over 12 cells in a 24VOLT application, this amounts to a change of 0.4V over a 10°C temperature swing.





# Powerterm L50CS Single Output PSU/Battery Chargers

## Model C2298A-1 (12V/4A) or Model C2298A-2 (24V/2A)

If the float voltage of the charger does not compensate for this change, then it is possible to over-charge the battery at high temperatures and under-charge the battery at low temperatures.

These PSU/Chargers are supplied from the factory with a resistor fitted to the temperature sensor terminals to fix the float voltage for 25°C operation. Over a normal ambient working range of 15 to 35°C this is considered quite satisfactory, and no further temperature compensation is required.

If the ambient temperature is fixed but outside of this range, then this resistor may be changed to simulate this environment. See the chart below for the correct resistor to use in this case.

If the ambient temperature is likely to swing by more than 20°C then it is strongly recommended that the external Powerterm Temperature Sensor be purchased and fitted in place of this resistor. This temperature sensor is fitted with a 500mm extension lead to allow it to be mounted near to the batteries, to best measure the ambient temperature of the batteries.

Temperature	Resistor	Float (12V)	Float (24V)	Tolerance
0°C	33k	14.25V	28.5V	+/- 250mV
5°C	27k	14.22V	28.44V	
10°C	22k	14.18V	28.36V	
15°C	15k	14.05V	28.10V	
20°C	12k	13.97V	27.94V	
25°C	10k	13.90V	27.80V	(default)
30°C	8.2k	13.80V	27.60V	
35°C	6.8k	13.70V	27.40V	
40°C	5.6k	13.60V	27.20V	
45°C	4.7k	13.50V	27.00V	
50°C	3.9k	13.36V	26.72V	

### CHARGING TIME

The PTL50CSS is a dual-mode charger. This means that the battery is charged in two phases. When the AC power returns after the battery has been on load, and requires recharging, the charger will enter into "boost" mode charging. The charger then switches into "float" charge mode, and the voltage is reduced to its "float" voltage, where the battery can remain indefinitely.

The boost mode charge rate is chosen to ensure that the battery reaches 85-95% charge in the shortest time within the constraints of the battery specifications. The remaining 5-15% charge is then topped up more slowly during the float charge cycle.

### PARALLEL AND SERIES OF BATTERIES

It is quite acceptable to put two 12V batteries in series to implement 24V systems.

Paralleling of batteries is also possible to achieve higher standby time although this is not normally desirable because a single battery of equivalent Amp-hour rating will normally be smaller in size and more efficient in operation. Parallel-connected batteries will not charge to their full capacity and will not share load equally. Parallel connection is therefore not recommended.

