



Omni8 μ 1,2,4 or 8 point AlarmAnnunciator

Compact 1, 2, 4 or 8 point alarm annunciator (48 x 96 mm)

Model Number
C1477B

DATASHEET

- Compact size - 48x96mm panel space
- 1, 2, 4 or 8 alarms
- Inputs from potential free contacts
- Bright Backlit LED display
- User printed legends on laser/inkjet
- 12Vdc, 20-60Vdc, 85-264Vac power options
- Configurable using "DIP" switches
- SIL1 rated and EMPHASIS approved

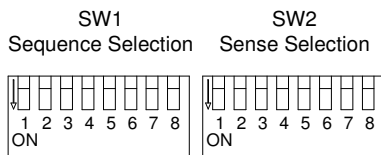


Overview

The Omni8 μ (pronounced "Omni 8 micro") is the smallest alarm annunciator in the Omnilarm range, designed for use in space restricted areas and low input counts. The Omni8 μ is a fully self-contained panel mounted annunciator with integral Test, Silence, Acknowledge, Reset Pushbuttons and audible device. It can be configured as a one, two, four or eight input annunciator.

Inputs

The inputs accept potential free contacts wired to plug in terminals on the rear of the annunciator and are individually switch configurable for normally open or normally closed input operation, using the DIP switches provided.



Group Alarm Relay Output

A group alarm output is available on a Form C contact on the rear terminals. The group alarm relay contact can be set to one of four functions:

- Relay follows input status,
- Relay follows alarm status
- Relay acts as multiple reflash
- Relay acts as external audible control

Alarm Inhibit

Input 8 may be designated as an **Inhibit** input using sequence DIP Switch SW1-8. In this mode, input 8 can be used to disable all inputs from causing alarms. This can be useful during startup or maintenance of machines. The 8th alarm window in this mode acts as an "alarm inhibited" indicator.

Alarm Flashing Sequences

One of 22 alarm flashing sequences can be easily configured on the DIP switches including special sequences for motor control where the Run/Stop Input is indicated by a simple ON/OFF of the window, while Tripped Input causes the full flashing alarm with audible alert to be triggered. See the user manual for all the flashing sequence options.

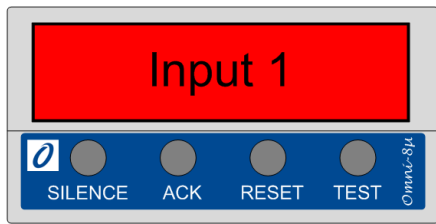
Alarm Sequence Options

Seq. No.	Sequence Description
1	LAMP FOLLOWS INPUT
2	MOMENTARY (FLEETING) ALARM, MANUAL RESET
3	ALARM ONLY (NON-LATCHING INPUTS) AUTO RESET
4	MOMENTARY ALARM, MANUAL RESET WITH ALARM RINGBACK
5	FIRST OUT, MULTIPLE GROUPS, MANUAL RESET
6	FIRST OUT, MANUAL RESET, AUTO RESET ON SUBSEQUENT ALARMS
7	FIRST OUT, SINGLE GROUP, MANUAL RESET, FIRST OUT CONTINUOUS FLASH
8	FIRST OUT, MANUAL RESET, SUBSEQUENT ALARMS WITHOUT HORN
9	MOMENTARY ALARM, MANUAL RESET, AUTO SILENCE AFTER TIME DELAY.
10	MOMENTARY ALARM, MANUAL RESET, REALARM AFTER TIME IF STILL ABNORMAL
11	MOMENTARY ALARM, MANUAL RESET, CONSTANT FLASH (FOR MOTOR ALARMS).
12	MOMENTARY ALARM, AUTO RESET, TIME DELAY ON RETURN TO NORMAL.
13	PULSE MONITORING ALARM; MANUAL RESET
14	MOMENTARY ALARM, AUTO RESET
15	FIRST OUT, MULTIPLE GROUPS, AUTO RESET
16	FIRST OUT, SINGLE GROUP, AUTO RESET, FIRST OUT CONTINUOUS FLASH
17	FIRST OUT, AUTO RESET, SUBSEQUENT ALARMS WITHOUT HORN
18	MOMENTARY ALARM, AUTO RESET, AUTO SILENCE AFTER TIME DELAY.
19	MOMENTARY ALARM, AUTO RESET, REALARM AFTER TIME IF STILL ABNORMAL
20	MOMENTARY ALARM, AUTO RESET, CONSTANT FLASH (FOR MOTOR ALARMS)
21	PULSE MONITORING ALARM, AUTO RESET
22	INPUTS 1-4 SEQUENCE 1; INPUTS 5-8 SEQUENCE 27 (FOR MOTOR ALARMS)
23	< RESERVED >

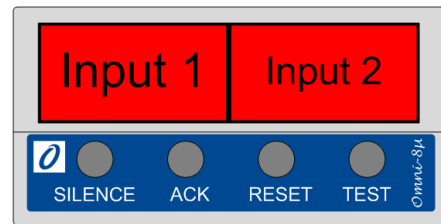




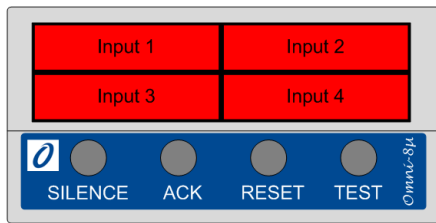
Alarm Window Layout



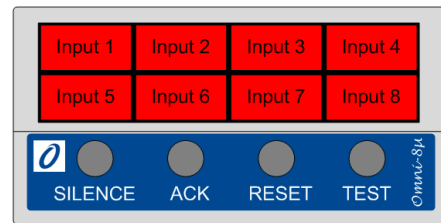
1 Point Alarm Annunciator



2 Point Alarm Annunciator

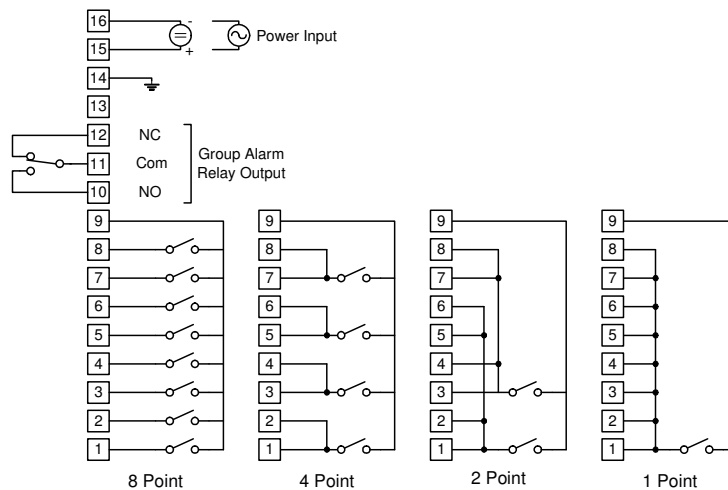


4 Point Alarm Annunciator

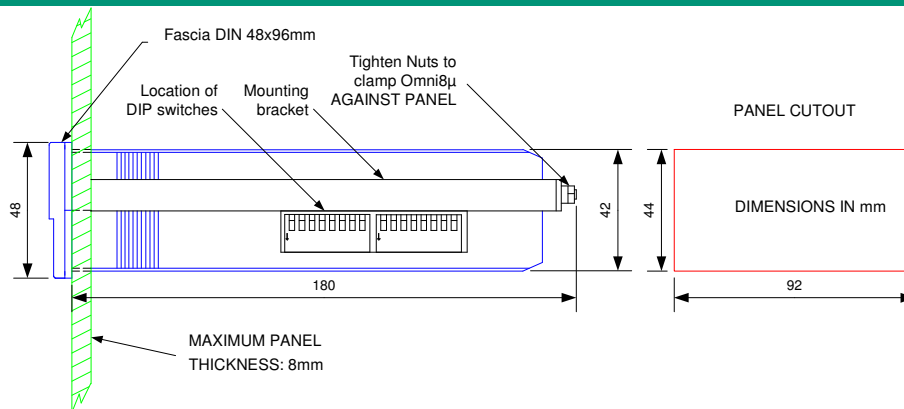


8 Point Alarm Annunciator

Electrical Connection Diagrams



Mechanical Mounting Details





Omni8 μ 1,2,4 or 8 point Alarm Annunciator

Compact 1, 2, 4 or 8 point alarm annunciator (48 x 96 mm)

Model Number
C1477B

Specifications

Power Supply (Terminals 1,2,3)

Model Number	C1477B-1	C1477B-2	C2477B-3
Voltage	10-15Vdc	20-60Vdc	85-264Vac
Max dc Ripple	10% pk-pk	10% pk-pk	N/A
Maximum Current	150mA	100mA max	4VA/3W
Isolation PSU/IPs	None	1500Vac	1500Vac
Connections	Via plug-in terminals		
Wire Size	1.5mm ² (15AWG) recommended 2.5mm ² (13AWG) maximum		

Alarm Inputs

Quantity and type	8 potential free contacts (can be wired as 1,2,4 or 8 alarms)
Contact Sense	Normally open or closed (User selectable)
Open Cct. Voltage	<15Vdc between V _{excite} and all inputs
Short Cct. Current	<2mA per input circuit
Maximum loop resistance to detect closed contact	200 ohms
Minimum loop resistance to detect open contact	100 kohms
Time to detect an alarm	8 milliseconds

Integral Pushbuttons

Quantity	Four buttons mounted in fascia
Functions	Silence, Acknowledge, Reset, Test

Alarm Window Display

Quantity	1, 2, 4 or 8 (user configurable)
Type	Red Backlit LED display
Size	10mm high x 20mm wide (as 8 way display)
Window Legend	User printed with inkjet/laser printer on to transparency film using software templates provided on our web site.

Relay Contact Output

Contact Type	Potential free change-over (Form C)
--------------	-------------------------------------

Contact Rating	2A 30Vdc or 0.5A 230Vac
Accuracy	< 0.15% of reading +10mV
Isolation	1000Vac from contact to other circuits
Functions	DIP Switch selectable as: <ul style="list-style-type: none"> Relay follows input status, Relay follows alarm status Relay acts as multiple reflash Relay acts as external audible control

Environment

Operating Temp.	0° C – 60° C (+32° F – 140° F)
Relative Humidity	5 to 95% (non-condensing)
Storage Temp.	-10° C – 70° C (+14° F – 158° F)

Mechanical

Overall Width	96mm (3.8")
Overall Height	48mm (1.9")
Overall Depth	187mm (7.4")
Panel Cut-out	92mm (3.62") x 44mm(1.73")
Panel thickness	1.6mm(0.062") to 8mm(0.32")
Depth behind panel	180mm (7.1") maximum

Weight

Unpacked	300g (11oz) approx.
Packed	480g (17oz) approx.

Compliance to Standards

Ingress Protection (IP)	Front Face: IP54 Housing: IP20
Safety	UL60950-1, EN60950-1
EMC	EN 55011:2011 Class B EN 61000-3-2:2014 (IEC 61000-3-2:2014) EN 61000-3-3:2013 (IEC 61000-3-3:2013) IEC 61326-1

Ordering Information

ORDER CODE	DESCRIPTION
C1477B-1	Omni8 μ with 10-15Vdc power supply
C1477B-2	Omni8 μ with 20-60Vdc power supply
C1477B-3	Omni8 μ with 85-264Vac power supply

